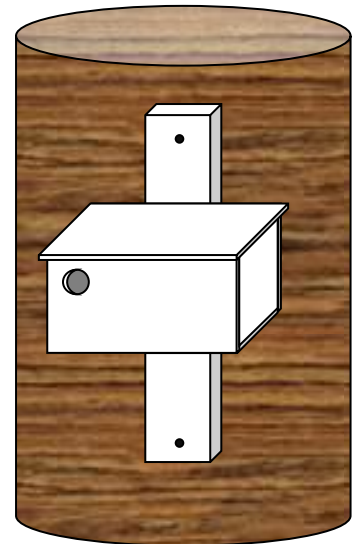
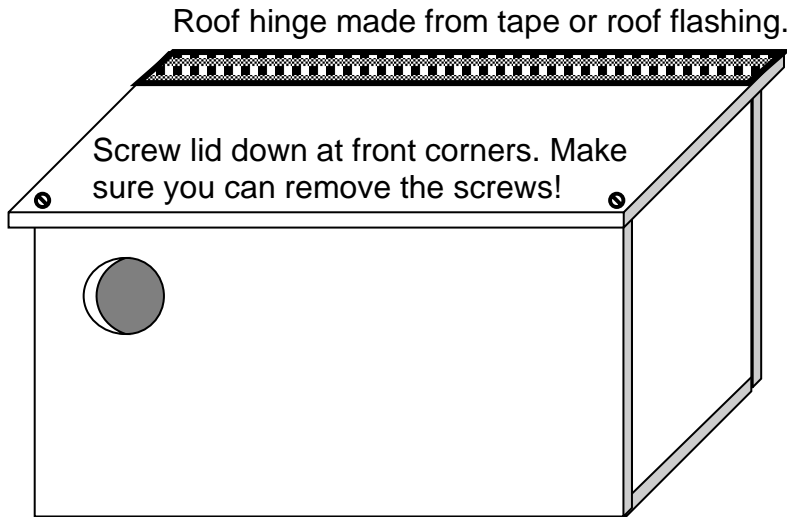
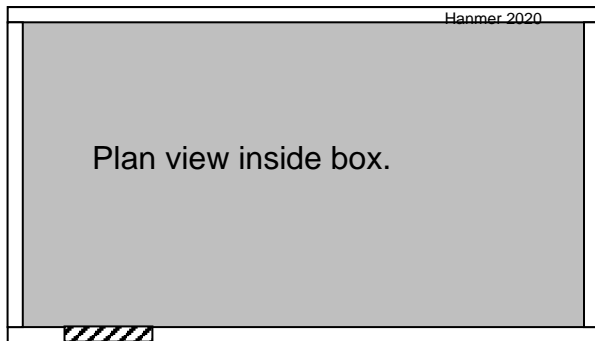


The Northumberland 'Redstart' box - for Tree Sparrow, Redstart



Screw on to a 40cm batten and attach to the tree. (1 to 1.5 metres is high enough)

- Use 2cm thick wood (treated lasts longer)
- Paint the whole exterior first with water based fence paint; then paint over the roof with an oil based outside gloss.



Hole size - 40mm diameter hole for Redstarts
30mm for Tree Sparrows & Great Tits

