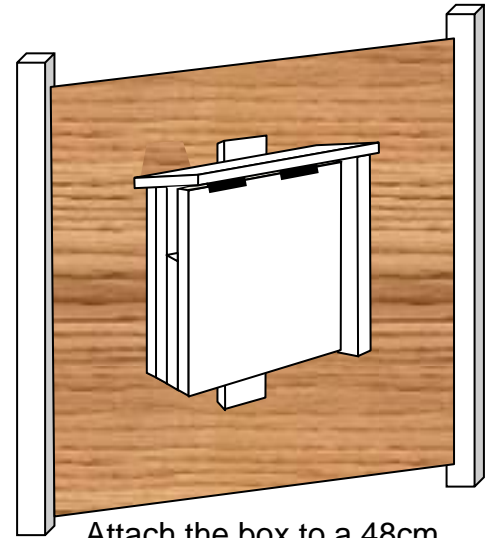
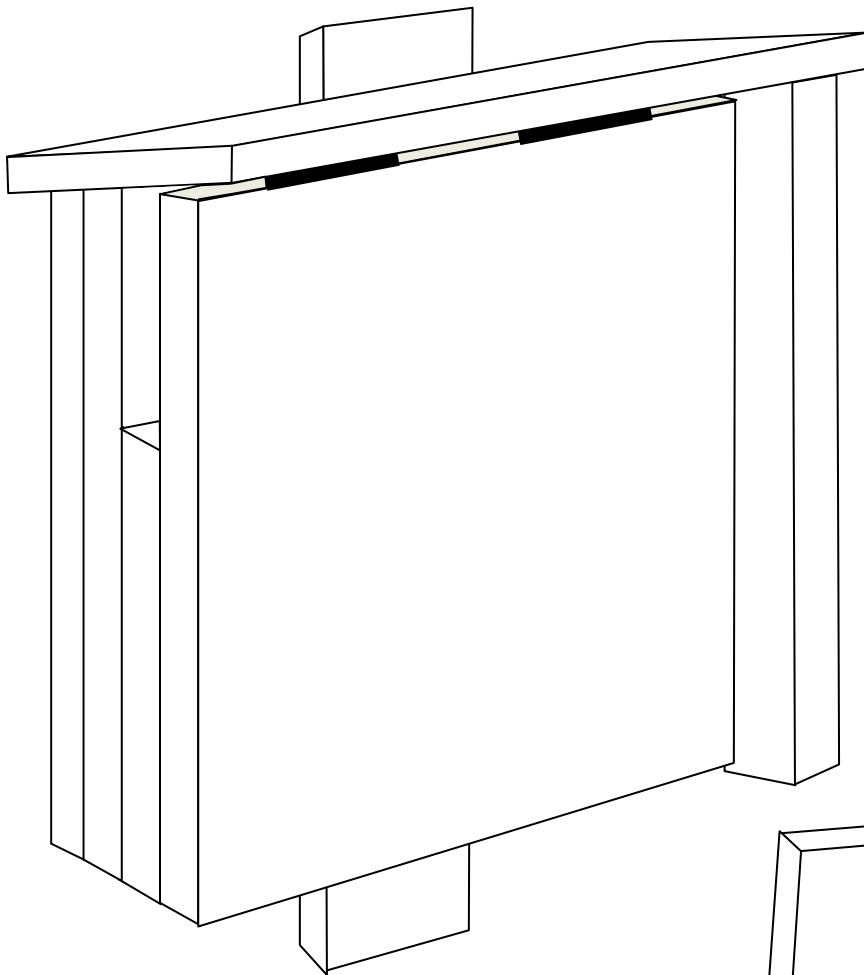
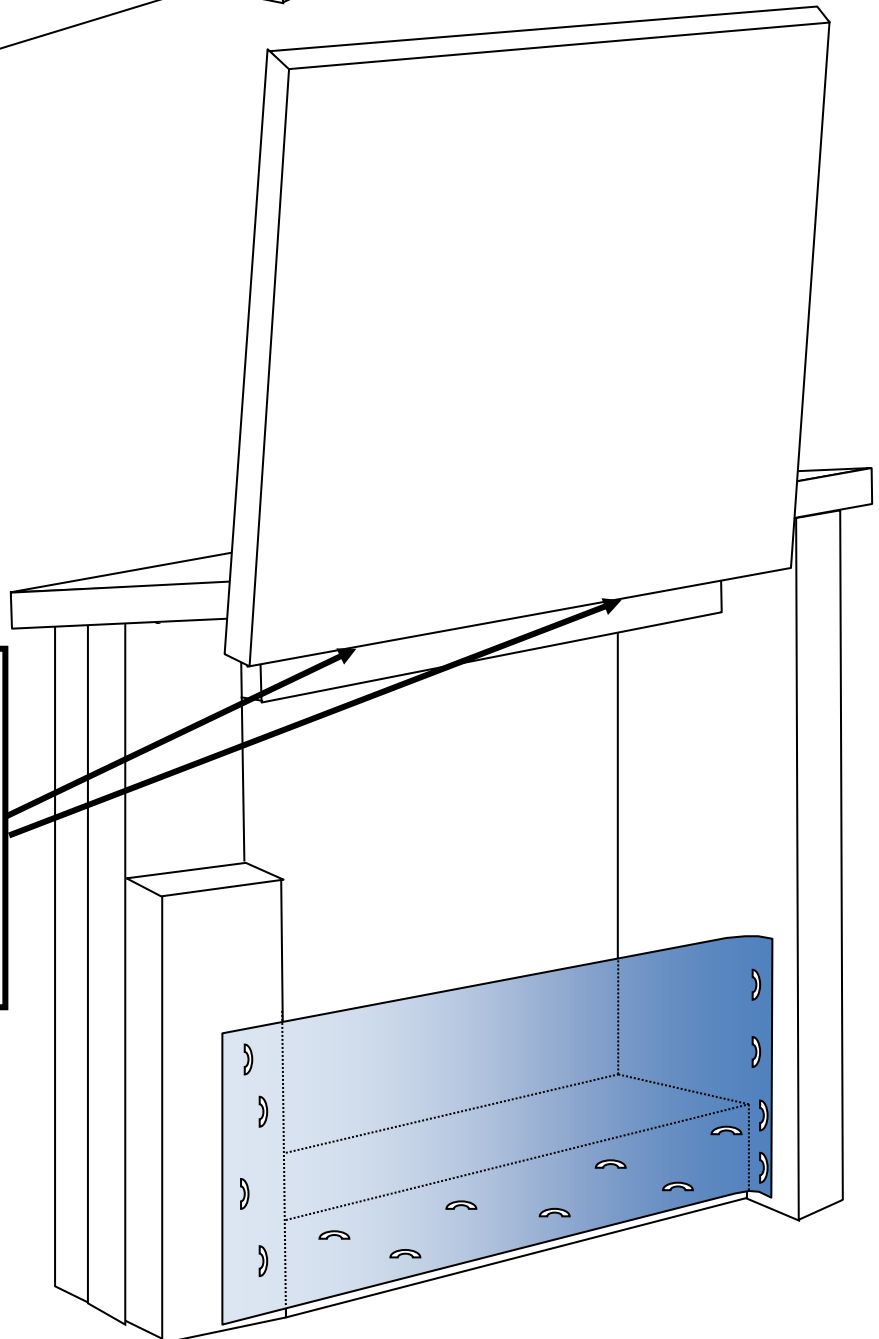
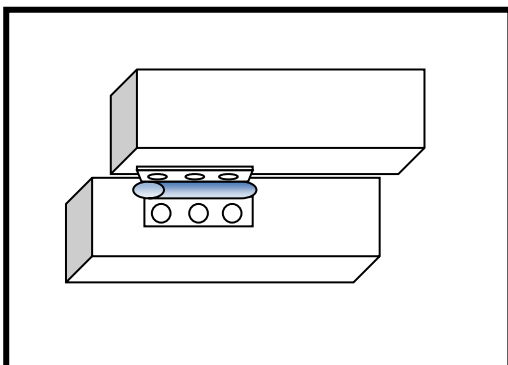


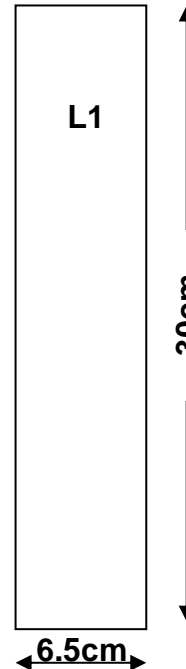
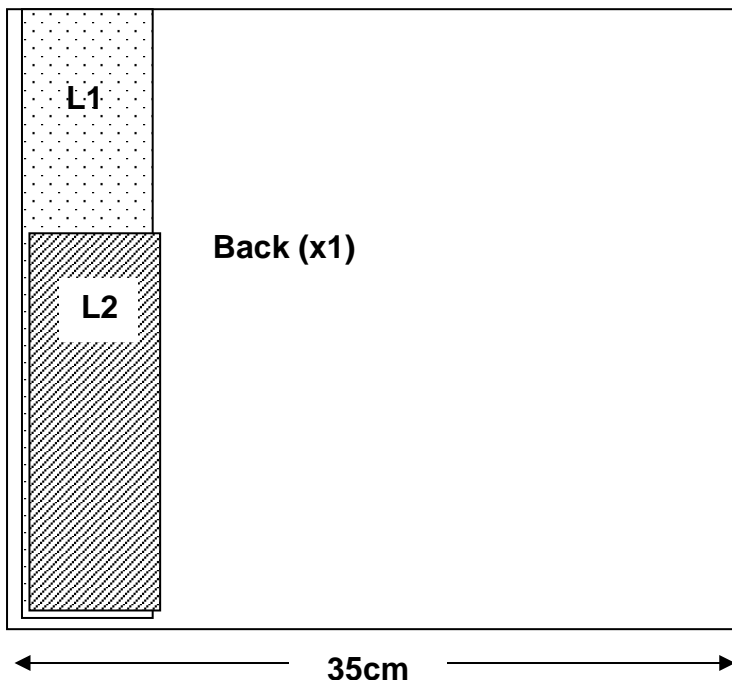
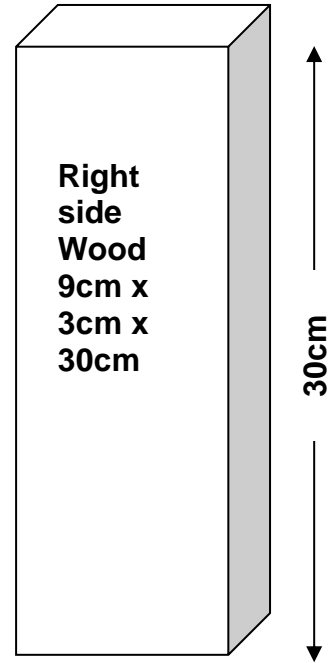
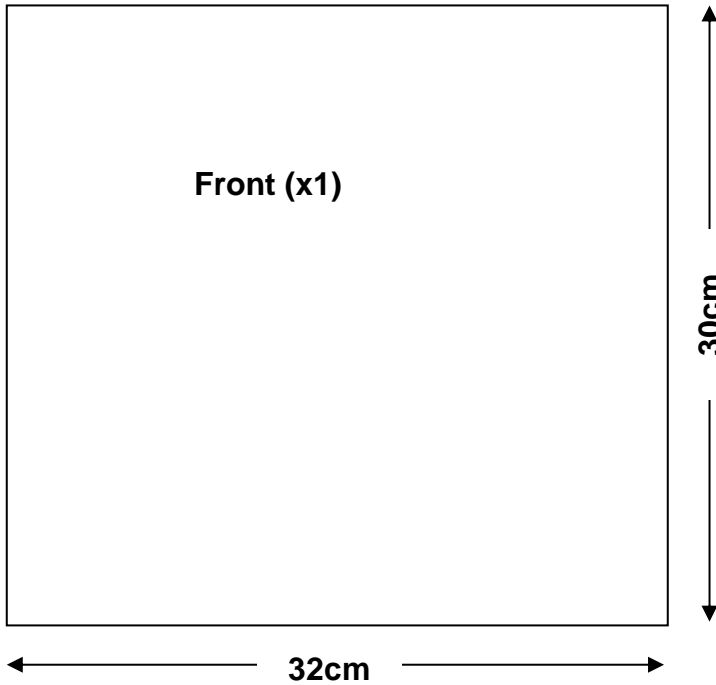
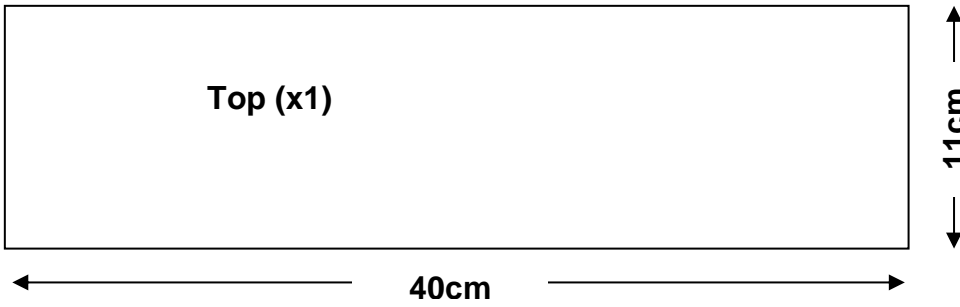
The Swanwick Treecreeper box



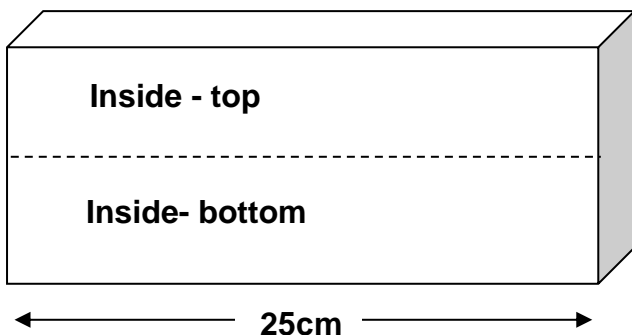
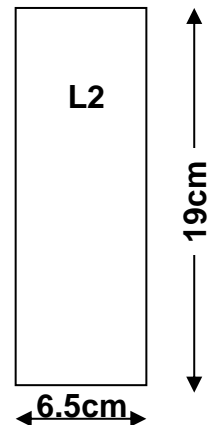
Attach the box to a 48cm
wooden batten

- Use a minimum wood thickness of 18mm (exterior quality)
- Paint the whole exterior first with water based fence paint; then paint over the roof with an oil based outside gloss.





Left – insides
Screw
together on to
the back.



Wood 9cm x 3cm by 25cm long.
Cut in half length wise.