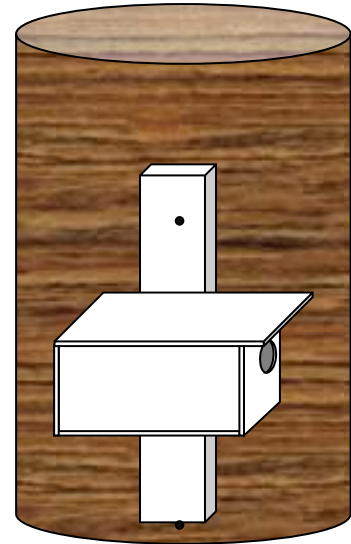
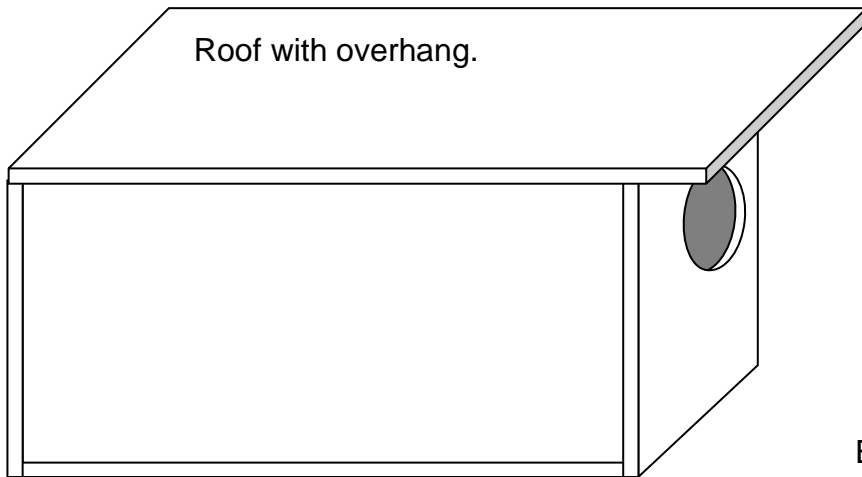
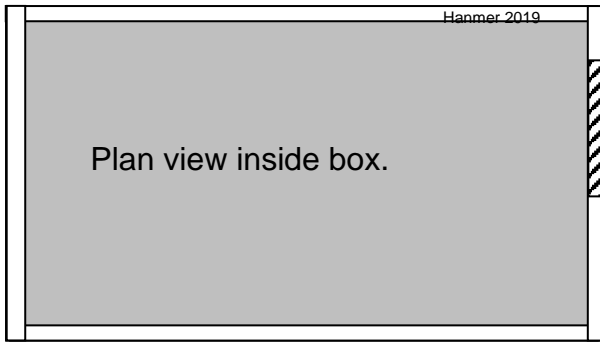


The Northumberland Kestrel box - 2021



Bolt the box to a 65cm batten and attach this to a tree or side of a barn. (3 metres is high enough)

- Use a minimum wood thickness of 18mm (exterior quality ply)
- Paint the whole exterior with water-based fence paint; then paint over the roof with an oil based outside gloss; add roofing felt especially if going outside in a tree.
- **Don't use too many screws in attaching the front; you will need to remove to clean-out.**



Hole size - 13cm diameter hole for Kestrel

