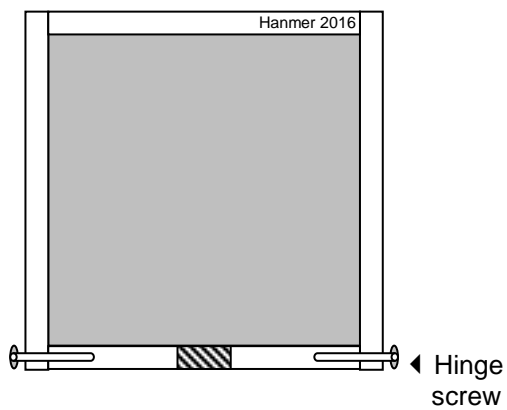
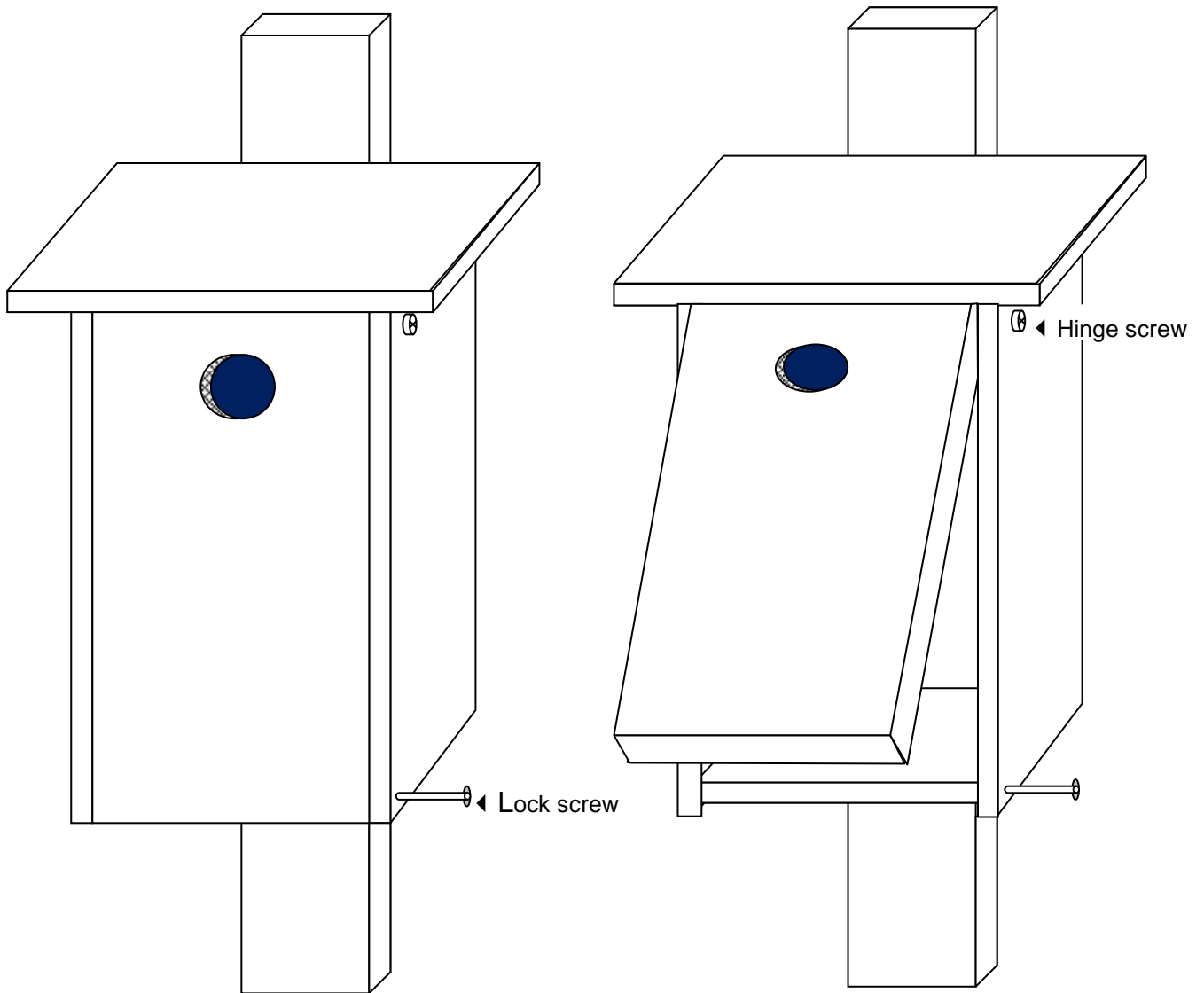
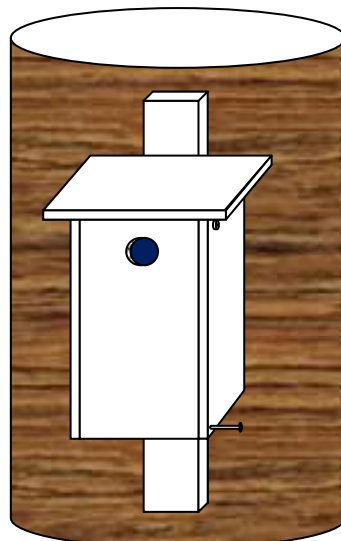


# The Northumberland swing front bird box- small version



Plan view inside box.

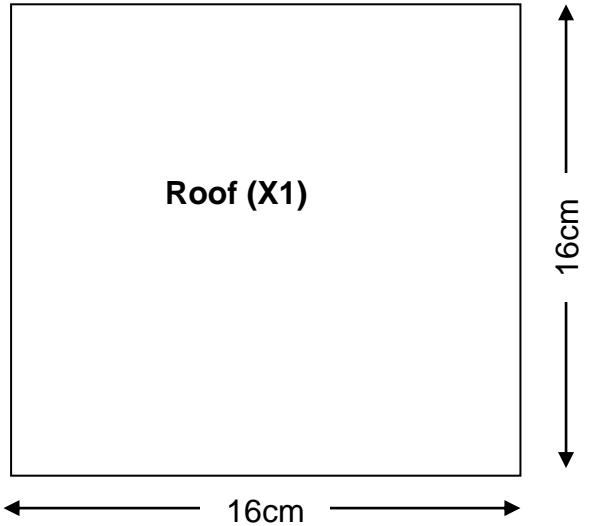


Screw on to a 40cm batten and attach to the tree.  
(2.5 metres is quiet high enough)

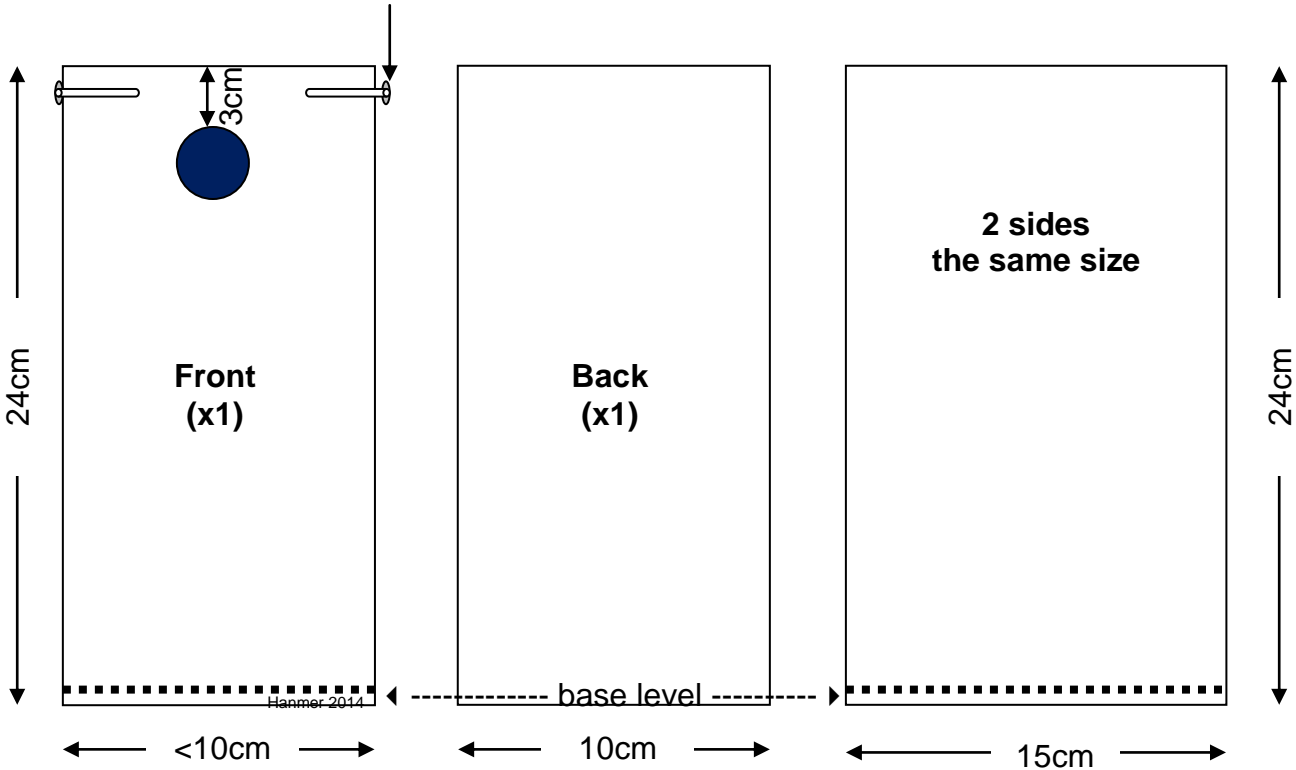
Use plank wood about 2cm thick  
 Paint the whole exterior first with water based fence paint; then paint over the roof with an oil based outside gloss.

**Hole size**

40mm diameter hole for Redstarts  
 28mm for Tree Sparrows & Great Tits  
 25mm for small Tits



4cm hinge screws located 2cm down the front side.



Trim base and front by a few millimetres so they fit into the bottom of the box (and the front shuts without projecting forward). Insert base 0.5cm up from the bottom of the box. This will give a lip to help opening the front.

