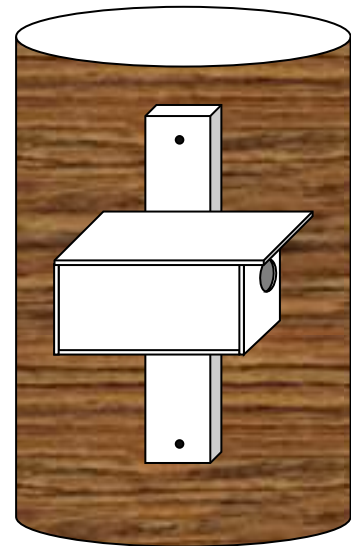
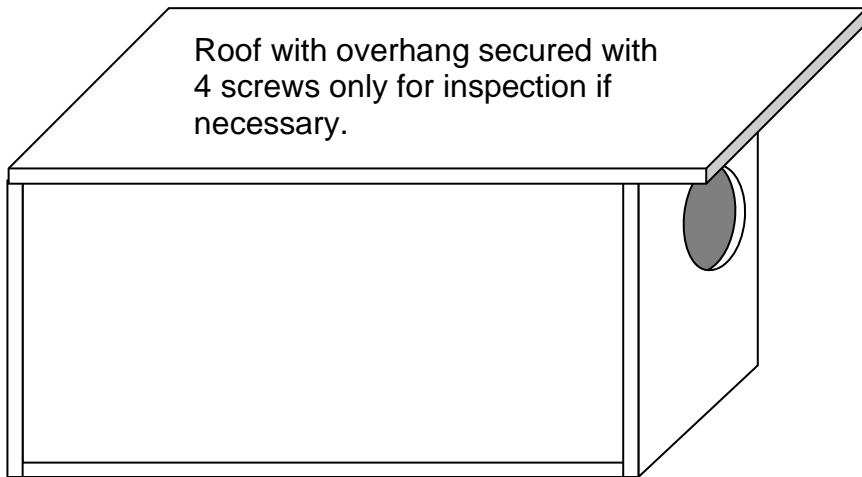
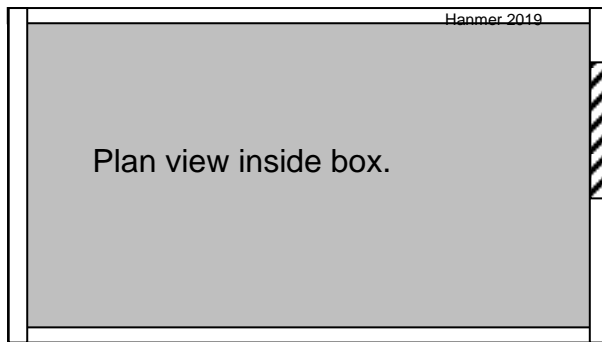


The Northumberland Kestrel box - 2019



Bolt the box to a 65cm batten and attach this to a tree or side of a barn. (4 metres is high enough)

- Use a minimum wood thickness of 18mm (exterior quality ply)
- Paint the whole exterior first with water-based fence paint; then paint over the roof with an oil based outside gloss; or add roofing felt; or roof flashing.



Hole size - 13cm diameter hole for Kestrel

